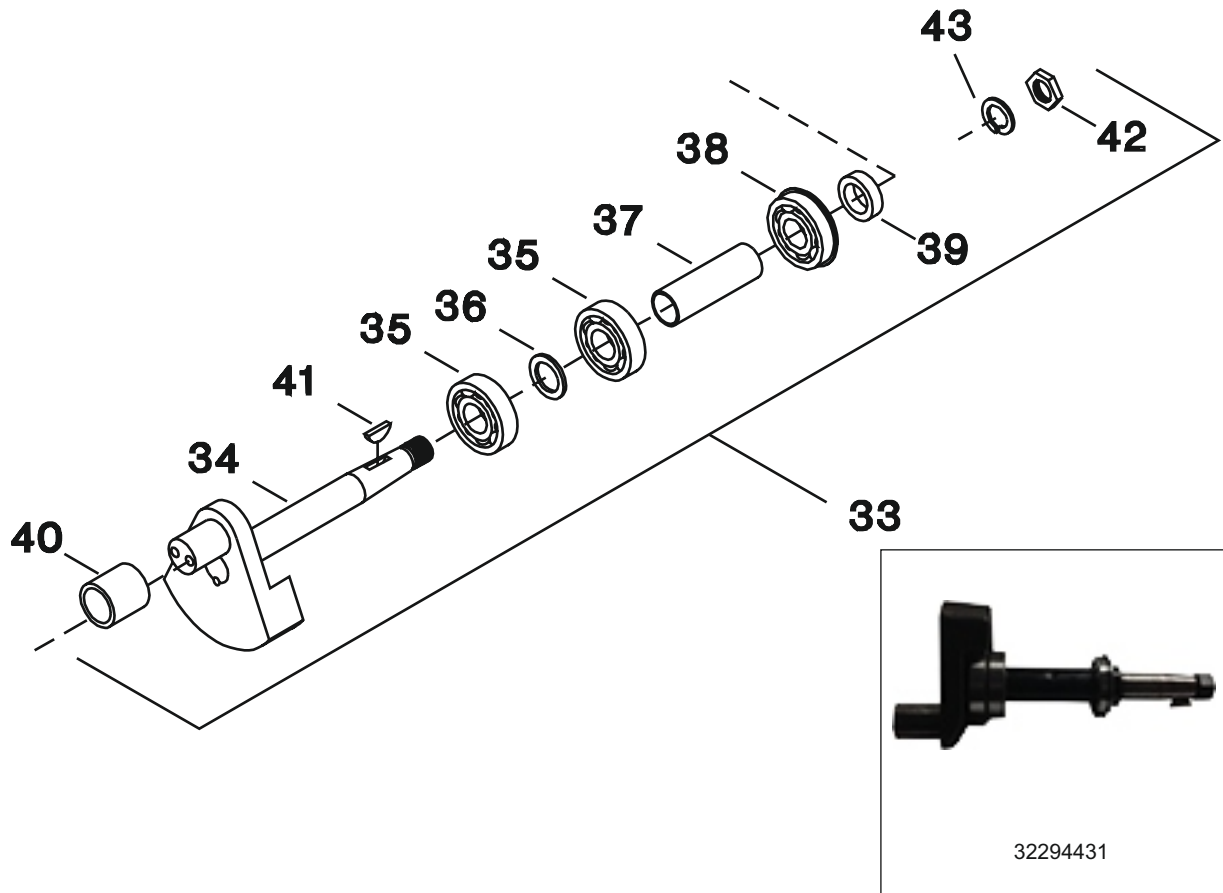


# 32294431\* - ASSEMBLY CRANKSHAFT WITH BUSHING



No.	Description	Ref Part No.	QTY
1-33	Assembly Crankshaft With Bushing	32294431*	-
1-34	- Assembly, Disc and Shaft	NSS	1
1-35	- Bearing, Ball	95200770	2
1-36	- Spacer, Inner Bearing	32203218	1
1-37	- Spacer, Outer Bearing	32203226	1
1-38	- Bearing, Ball - With Snap Ring	95305546	1
1-39	- Ring, Bearing Retainer	37127941	1
1-40	- Bushing, Crankpin	30210165	1
1-41	- Key, Woodruff	95433173	1
1-42	- Nut, Beltwheel -7/8 -14	95098315	1
1-43	- Lockwasher, Spring -7/8"	95043162	1